

Backlight v1.0

Installation and Operation



Table of Contents

<i>Specifications</i>	4
<i>Connection</i>	4
<i>Connection</i>	5
<i>Use</i>	5
<i>Tip</i>	5

Specifications

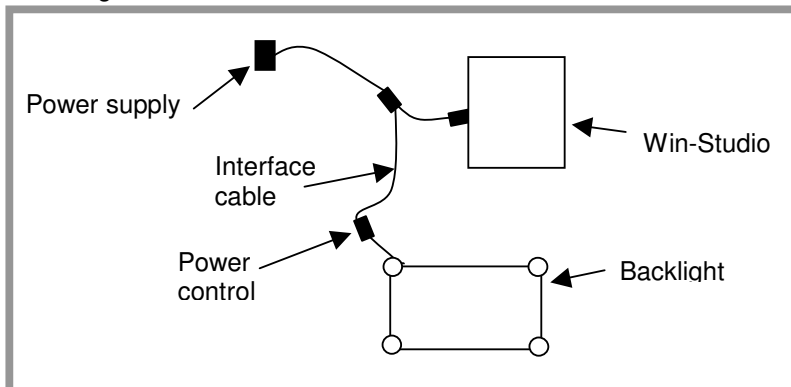
Power:	12VDC 0.1A
Size:	23.5 x 18.5 cm
No. of LEDs:	15
Light color:	Clear white

Package content:

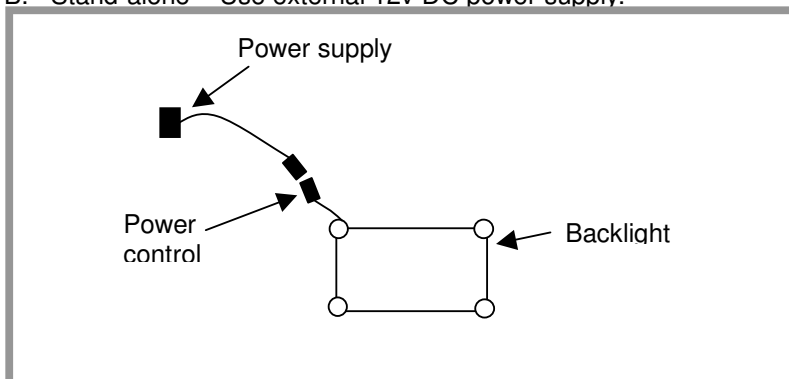
- Backlight
- Win-Studio interface power cable

Connection

A. Using with Win-Studio



B. Stand-alone – Use external 12v DC power supply.



Operation

Use The power control to turn the backlight on and off.

Use

Using the backlight:

- Help removing shadows from the image.
- Help removing the background.

Tips

- White background increase the backlight effect
- The effect is sensed even when power is off
- Not recommended with silver jewelry.
- Always check the image result with and without backlight.
- Use the main lamp manual calibration together with the backlight to create a homogeneous background.
- Adjust a white surface to the backside of the backlight to increase the backlight effect.

